

8

4

3

8

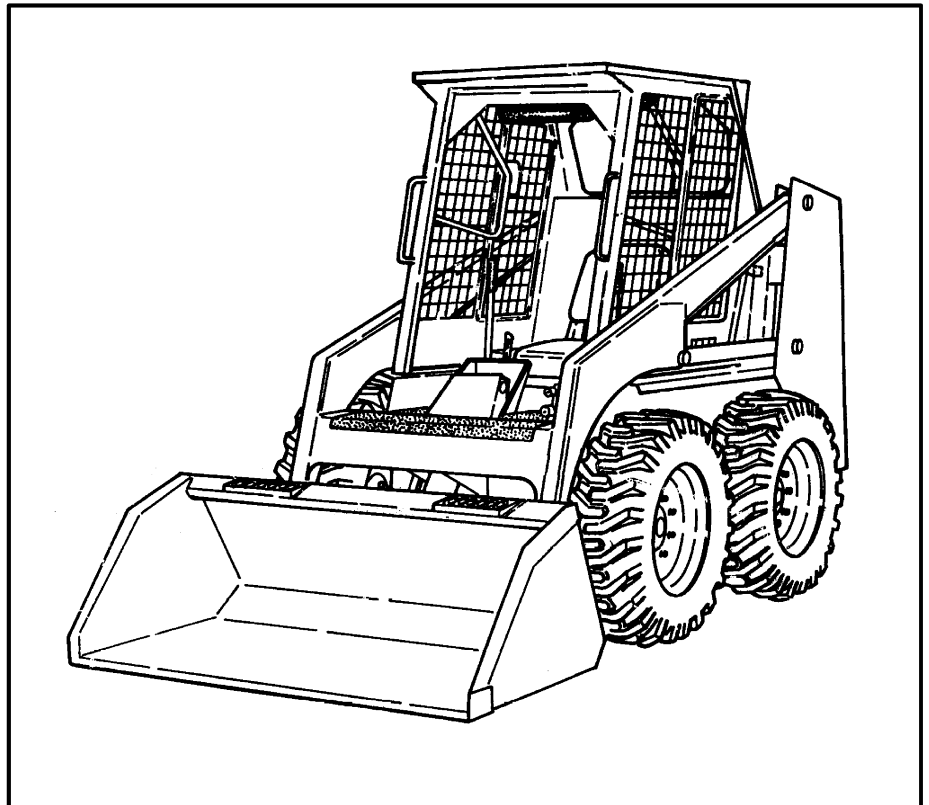
4

3

B



Service Manual



MELROE
INGERSOLL-RAND

6566091 (12-85)

Printed in U.S.A.



© Melroe Company 1985

CONTENTS

FOREWORD	ii
SAFETY INSTRUCTIONS	v
SERIAL NUMBER LOCATIONS	vii
DELIVERY REPORT	vii
BOBCAT LOADER IDENTIFICATION	viii
PREVENTIVE MAINTENANCE	1-1
HYDRAULIC SYSTEM	2-1
HYDROSTATIC SYSTEM	3-1
DRIVE SYSTEM	4-1
MAIN FRAME	5-1
ELECTRICAL SYSTEM	6-1
ENGINE SERVICE	7-1
SPECIFICATIONS	8-1

**PREVENTIVE
MAINTENANCE**

**HYDRAULIC
SYSTEM**

**HYDROSTATIC
SYSTEM**

**DRIVE
SYSTEM**

**MAIN
FRAME**

**ELECTRICAL
SYSTEM**

**ENGINE
SERVICE**

SPECIFICATIONS

Thank you very much for your reading. Please Click Here. Then Get COMPLETE MANUAL. NO WAITING



NOTE:

If there is no response to click on the link above, please download the PDF document first and then click on it.