

QUICK REFERENCE INDEX

Edition: July 2005
 Revision: November 2009
 Publication No. SM6E-1J60U2

A GENERAL INFORMATION	GI General Information
B ENGINE	EM Engine Mechanical
	LU Engine Lubrication System
	CO Engine Cooling System
	EC Engine Control System
	FL Fuel System
	EX Exhaust System
	ACC Accelerator Control System
	AT Automatic Transmission
C TRANSMISSION/ TRANSAXLE	
D DRIVELINE/AXLE	TF Transfer
	PR Propeller Shaft
	FFD Front Final Drive
	RFD Rear Final Drive
	FAX Front Axle
	RAX Rear Axle
E SUSPENSION	FSU Front Suspension
	RSU Rear Suspension
	WT Road Wheels & Tires
F BRAKES	BR Brake System
	PB Parking Brake System
	BRC Brake Control System
G STEERING	PS Power Steering System
H RESTRAINTS	SB Seat Belts
	SRS Supplemental Restraint System (SRS)
I BODY	BL Body, Lock & Security System
	GW Glasses, Window System & Mirrors
	RF Roof
	EI Exterior & Interior
	IP Instrument Panel
	SE Seat
	AP Adjustable Pedal
J AIR CONDITIONER	ATC Automatic Air Conditioner
K ELECTRICAL	SC Starting & Charging System
	LT Lighting System
	DI Driver Information System
	WW Wiper, Washer & Horn
	BCS Body Control System
	LAN LAN System
	AV Audio Visual, Navigation & Telephone System
	ACS Auto Cruise Control System
	PG Power Supply, Ground & Circuit Elements
	MA Maintenance
L MAINTENANCE	
M INDEX	IDX Alphabetical Index

A
B
C
D
E
F
G
H
I
J
K
L
M



FOREWORD

This manual contains maintenance and repair procedures for the 2006 INFINITI QX56.

In order to assure your safety and the efficient functioning of the vehicle, this manual should be read thoroughly. It is especially important that the PRECAUTIONS in the GI section be completely understood before starting any repair task.

All information in this manual is based on the latest product information at the time of publication. The right is reserved to make changes in specifications and methods at any time without notice.

IMPORTANT SAFETY NOTICE

The proper performance of service is essential for both the safety of the technician and the efficient functioning of the vehicle.

The service methods in this Service Manual are described in such a manner that the service may be performed safely and accurately. Service varies with the procedures used, the skills of the technician and the tools and parts available. Accordingly, anyone using service procedures, tools or parts which are not specifically recommended by NISSAN must first be completely satisfied that neither personal safety nor the vehicle's safety will be jeopardized by the service method selected.

QUICK REFERENCE CHART: QX56

PFP:00000

Engine Tune-Up Data

ELS001QQ

Cylinder arrangement		V-8
Displacement		5,552 cm ³ (338.80 in ³)
Bore and stroke		98 x 92 mm (3.86 x 3.62 in)
Valve arrangement		DOHC
Firing order		1-8-7-3-6-5-4-2
Number of piston rings	Compression	2
	Oil	1
Number of main bearings		5
Compression ratio		9.8:1
Compression pressure	Standard	1,520 kPa (15.5 kg/cm ² , 220 psi) / 200 rpm
	Minimum	1,324 kPa (13.5 kg/cm ² , 192 psi) / 200 rpm
	Differential limit between cylinders	98 kPa (1.0 kg/cm ² , 14 psi) / 200 rpm

Cylinder number

SEM957C

Valve timing

PBIC0187E

Unit: degree					
a	b	c	d	e	f
232°	230°	2°	48°	3°	49°

Drive Belt Deflection and Tension

Tension of drive belts	Auto adjustment by auto tensioner
------------------------	-----------------------------------

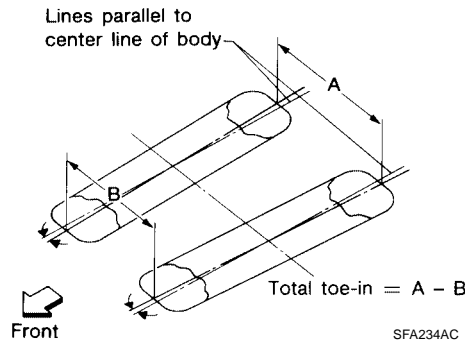
Spark Plugs (Double Platinum Tipped)

Make	NGK
Standard type	PLFR5A-11
Hot type	PLFR4A-11
Cold type	PLFR6A-11
Gap (nominal)	1.1 mm (0.043 in)

Front Wheel Alignment (Unladen*1)

ELS001QR

Drive type		2WD	4WD
Camber Degree minute (decimal degree)	Minimum	-0° 51' (-0.85°)	-0° 33' (-0.55°)
	Nominal	-0° 6' (-0.10°)	0° 12' (0.20°)
	Maximum	0° 39' (0.65°)	0° 57' (0.95°)
	Cross camber	0° 45' (0.75°) or less	0° 45' (0.75°) or less
Caster Degree minute (decimal degree)	Minimum	3° 15' (3.25°)	2°45' (2.75°)
	Nominal	4° 0' (4.00°)	3° 30' (3.50°)
	Maximum	4° 45' (4.75°)	4° 15' (4.25°)
	Cross caster	0° 45' (0.75°) or less	0° 45' (0.75°) or less
Kingpin inclination Degree minute (decimal degree)		13° 32' (13.53°)	13°13' (13.22°)



Total toe-in	Distance (A - B)	Minimum	1.8 mm (0.07 in)	1.8 mm (0.07 in)
		Nominal	2.8 mm (0.11 in)	2.8 mm (0.11 in)
		Maximum	3.8 mm (0.15 in)	3.8 mm (0.15 in)
	Angle (left side and right side) Degree minute (decimal degree)	Minimum	0° 3' (0.05°)	0° 3' (0.05°)
		Nominal	0° 5' (0.08°)	0° 5' (0.08°)
		Maximum	0° 7' (0.12°)	0° 7' (0.12°)
Wheel turning angle (full turn)	Inside Degree minute (decimal degree)	34° 31' - 38° 31' *2 (34.52° - 38.52°)	34° 44' - 38° 44' *4 (34.73° - 38.73°)	
	Outside Degree minute (decimal degree)	30° 59' - 34° 59' *3 (30.98° - 34.98°)	30° 29' - 34° 29' *5 (30.48° - 34.48°)	

*1: Fuel, radiator coolant and engine oil full. Spare tire, jack, hand tools and mats in designated positions.

*2: Target value 37° 31' (37.52°)

*3: Target value 33° 59' (33.98°)

*4: Target value 37° 44' (37.73°)

*5: Target value 33° 29' (33.48°)

**Thank you very much
for your reading.**

**Please click here and go
back to the website.**

**Then, you can
download the complete
manual instantly.**

No waiting.