

FOREWORD

This manual covers the service procedures of the TOYOTA FORKLIFT 6FG/6FD10–30. Please use this manual for providing quick, correct servicing of the corresponding forklift models.

This manual deals with the above models as of January 1994. Please understand that disagreement can take place between the descriptions in the manual and actual vehicles due to change in design and specifications. Any change or modifications thereafter will be informed by Toyota Industrial Equipment Parts & Service News.

For the service procedures of the mounted engine, read the repair manuals listed below as reference together with this manual.

(Reference)

Repair manuals related to this manual are as follows:

TOYOTA INDUSTRIAL EQUIPMENT 5K ENGINE
REPAIR MANUAL (No.CE617)

TOYOTA INDUSTRIAL EQUIPMENT 4Y ENGINE
REPAIR MANUAL (No.CE602)

TOYOTA INDUSTRIAL EQUIPMENT 1DZ ENGINE
REPAIR MANUAL (No.CE618)

TOYOTA INDUSTRIAL EQUIPMENT 2Z ENGINE
REPAIR MANUAL (No.CE625)

TOYOTA MOTOR CORPORATION

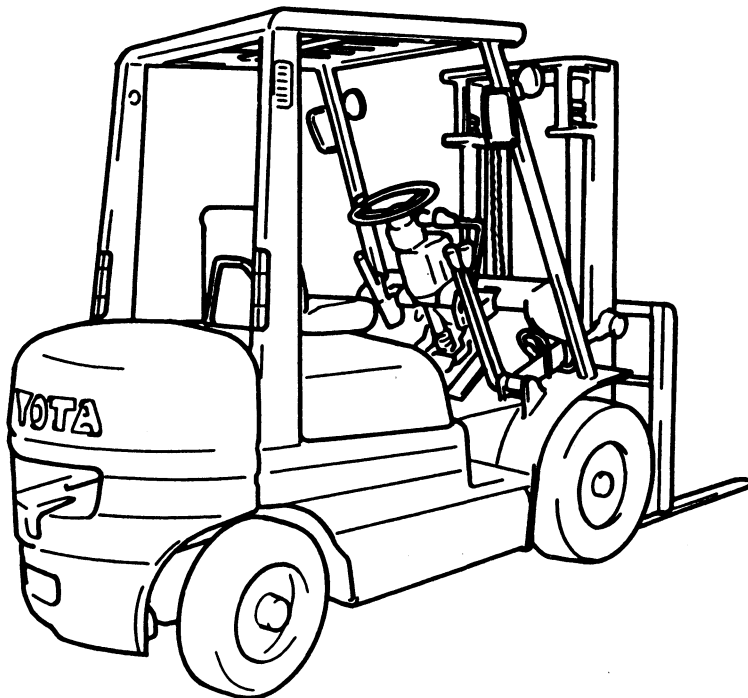
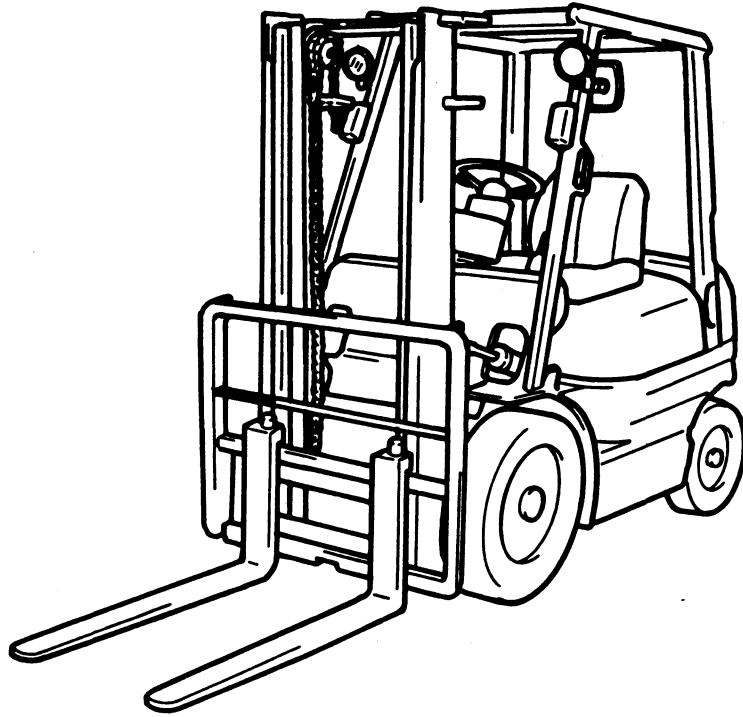
SECTION INDEX

NAME	SECTION
GENERAL	0
ENGINE	1
CLUTCH	2
TORQUE CONVERTER	3
TRANSMISSION	4
PROPELLER SHAFT	5
DIFFERENTIAL	6
FRONT AXLE	7
REAR AXLE	8
STEERING	9
BRAKE	10
BODY	11
MATERIAL HANDLING SYSTEM	12
MAST	13
CYLINDER	14
OIL PUMP	15
OIL CONTROL VALVE	16
APPENDIX	17

GENERAL

	Page
EXTERIOR VIEWS	0-2
VEHICLE MODEL	0-3
FRAME NUMBER	0-6
HOW TO READ THIS MANUAL	0-9
EXPLANATION METHOD	0-9
TERMINOLOGY	0-10
ABBREVIATIONS	0-10
OPERATIONAL TIPS	0-11
STANDARD BOLT & NUT TIGHTENING TORQUE	0-12
BOLT STRENGTH TYPE IDENTIFICATION METHOD	0-12
TIGHTENING TORQUE TABLE	0-13
PRECOAT BOLTS	0-14
HIGH PRESSURE HOSE FITTING TIGHTENING TORQUE	0-14
WIRE ROPE SUSPENSION ANGLE LIST	0-15
SAFE LOAD FOR EACH WIRE ROPE SUSPENSION ANGLE	0-15
COMPONENTS WEIGHT	0-16
RECOMMENDED LUBRICANT QUANTITY & TYPES	0-17
LUBRICATION CHART	0-19
PERIODIC MAINTENANCE	0-21
PERIODIC REPLACEMENT OF PARTS AND LUBRICANTS	0-27

EXTERIOR VIEWS



VEHICLE MODEL

Series	Load capacity	Model	Engine model	Engine type	Drive system
1 ton series	1.0 ton	6FG10	5K	Gasoline	Clutch
		02-6FG10		↑	Torque converter
		40-6FG10	4Y	↑	Clutch
		42-6FG10		↑	Torque converter
		6FD10	1DZ	Diesel	Clutch
		02-6FD10		↑	Torque converter
	1.35 ton	6FG14	5K	Gasoline	Clutch
		02-6FG14		↑	Torque converter
		40-6FG14	4Y	↑	Clutch
		40-6FG14		↑	Torque converter
		6FD14	1DZ	Diesel	Clutch
		02-6FD14		↑	Torque converter
	1.5 ton	6FG15	5K	Gasoline	Clutch
		02-6FG15		↑	Torque converter
		40-6FG15	4Y	↑	Clutch
		42-6FG15		↑	Torque converter
		6FD15	1DZ	Diesel	Clutch
		02-6FD15		↑	Torque converter
	1.75 ton	6FG18	5K	Gasoline	Clutch
		02-6FG18		↑	Torque converter
		40-6FG18	4Y	↑	Clutch
		42-6FG18		↑	Torque converter
		6FD18	1DZ	Diesel	Clutch
		02-6FD18		↑	Torque converter
2 ton series	2.0 ton	6FG20	5K	Gasoline	Clutch
		02-6FG20		↑	Torque converter
		40-6FG20	4Y	↑	Clutch
		42-6FG20		↑	Torque converter
		60-6FD20	1DZ	Diesel	Clutch
		62-6FD20		↑	Torque converter

Series	Load capacity	Model	Engine model	Engine type	Drive system
2 ton series	2.0 ton	6FD20	2Z	Diesel	Clutch
		02-6FD20		↑	Torque converter
	2.25 ton	6FG23	5K	Gasoline	Clutch
		02-6FG23		↑	Torque converter
		40-6FG23	4Y	Gasoline	Clutch
		42-6FG23		↑	Torque converter
		60-6FD23	1DZ	Diesel	Clutch
		62-6FD23		↑	Torque converter
		6FD23	2Z	↑	Clutch
		02-6FD23		↑	Torque converter
	2.5 ton	6FG25	5K	Gasoline	Clutch
		02-6FG25		↑	Torque converter
		40-6FG25	4Y	↑	Clutch
		42-6FG25		↑	Torque converter
		60-6FD25	1DZ	Diesel	Clutch
		62-6FD25		↑	Torque converter
		6FD25	2Z	↑	Clutch
		02-6FD25		↑	Torque converter
3 ton series	2.75 ton	6FG28	4Y	Gasoline	Clutch
		02-6FG28		↑	Torque converter
		60-6FD28	1DZ	Diesel	Clutch
		62-6FD28		↑	Torque converter
		6FD28	2Z	↑	Clutch
		02-6FD28		↑	Torque converter
	3.0 ton	6FG30	4Y	Gasoline	Clutch
		02-6FG30		↑	Torque converter
		60-6FD30	1DZ	Diesel	Clutch
		62-6FD30		↑	Torque converter
		6FD30	2Z	↑	Clutch
		02-6FD30		↑	Torque converter

South Africa

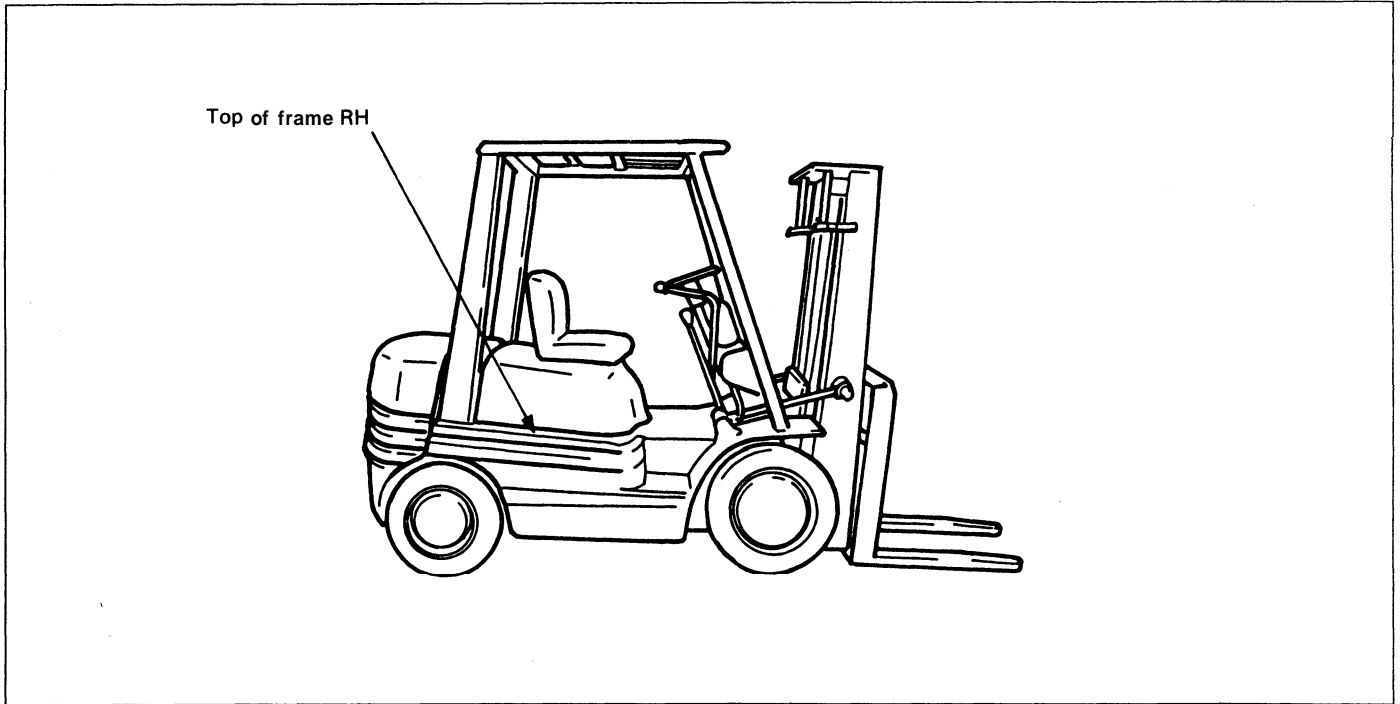
Series	Load capacity	Model	Engine model	Engine type	Drive system
1 ton series	1.5 ton	02-6FGA15	5K	Gasoline	Torque converter
		02-6FDA15	7DZ	Diesel	↑
	1.75 ton	02-6FGA18	5K	Gasoline	↑
		02-6FDA18	1DZ	Diesel	↑
2 ton series	2.0 ton	42-6FGA20	4Y	Gasoline	↑
		02-6FDA20	2Z	Diesel	↑
		62-6FDA20	1DZ	↑	↑
	2.5 ton	42-6FGA25	4Y	Gasoline	↑
		02-6FDA25	2Z	Diesel	↑
		62-6FDA25	1DZ	↑	↑
3 ton series	3.0 ton	02-6FGA30	4Y	Gasoline	↑
		02-6FDA30	2Z	Diesel	↑
		62-6FDA30	1DZ	↑	↑

Indonesia

Series	Load capacity	Model	Engine model	Engine type	Drive system
2 ton series	2.0 ton	6FDN20	2Z	Diesel	Clutch
		60-6FDN20	1DZ	↑	↑
	2.5 ton	6FDN25	2Z	↑	↑
		60-6FDN25	1DZ	↑	↑
3 ton series	3.0 ton	6FDN30	2Z	↑	↑
		60-6FDN30	1DZ	↑	↑

FRAME NUMBER

Frame No. Punching Position



	Engine	Model	Punching format
1 ton series	5K	6FG10	6FG18-10001
		02-6FG10	
		6FG14	
		02-6FG14	
		6FG15	
		02-6FG15	
		6FG18	
		02-6FG18	
	4Y	40-6FG10	406FG18-10001
		42-6FG10	
		40-6FG14	
		42-6FG14	
		40-6FG15	
		42-6FG15	
		40-6FG18	
		42-6FG18	
	1DZ	6FD10	6FD18-10001
		02-6FD10	
		6FD14	
		02-6FD14	
		6FD15	

	Engine	Model	Punching format
1 ton series	1DZ	02-6FD15	6FD18-10001
		6FD18	
		02-6FD18	
2 ton series	5K	6FG20	6FG25-10001
		02-6FG20	
		6FG23	
		02-6FG23	
		6FG25	
		02-6FG25	
	4Y	40-6FG20	406FG25-10001
		42-6FG20	
		40-6FG23	
		42-6FG23	
		40-6FG25	
		42-6FG25	
	2Z	6FD20	6FD25-10001
		02-6FD20	
		6FD23	
		02-6FD23	
		6FD25	
		02-6FD25	
1DZ	60-6FD20	606FD25-10001	
	62-6FD20		
	60-6FD23		
	62-6FD23		
	60-6FD25		
	62-6FD25		
3 ton series	4Y	6FG28	6FG30-10001
		02-6FG28	
		6FG30	
		02-6FG30	
	1DZ	60-6FD28	606FD30-10001
		62-6FD28	
		60-6FD30	
		62-6FD30	
	2Z	6FD28	6FD30-10001
		02-6FD28	
		6FD30	
		02-6FD30	

South Africa

	Engine	Model	Punching format
1 ton series	5K	02-6FGA 15	6FGA18-10001
		02-6FGA 18	
	1DZ	02-6FDA 15	6FDA18-10001
		02-6FDA 18	
2 ton series	4Y	42-6FGA20	406FGA25-10001
		42-6FGA25	
	2Z	02-6FDA20	6FDA25-10001
		02-6FDA25	
	1DZ	62-6FDA20	606FDA25-10001
		62-6FDA25	
3 ton series	4Y	02-6FGA30	6FGA30-10001
	2Z	02-6FDA30	6FDA30-10001
	1DZ	62-6FDA30	606FDA30-10001

Indonesia

	Engine	Model	Punching format
2 ton series	2Z	6FDN20	6FDN25-10001
		6FDN25	
	1DZ	60-6FDN20	606FDN25-10001
		60-6FDN25	
3 ton series	2Z	6FDN30	6FDN30-10001
	1DZ	60-6FDN30	606FDN30-10001

**Thank you very much
for your reading.**

**Please click here to buy
After you pay.**

**Then, you can
download the complete
manual instantly.
No waiting.**