

## Fuel Injection Pump - Remove - Fuel Injection Pumps With a Water Heated Cold Start Device

SMCS - 1251-011

### Removal Procedure

Table 1

Required Tools			
Tool	Part Number	Part Description	Qty
A	1P-2320	Combination Puller	1

#### Start By:

- A. Remove the fuel injection lines. Refer to Disassembly and Assembly, "Fuel Injection Lines - Remove and Install".

---

#### NOTICE

Care must be taken to ensure that fluids are contained during performance of inspection, maintenance, testing, adjusting and repair of the product. Be prepared to collect the fluid with suitable containers before opening any compartment or disassembling any component containing fluids.

Dispose of all fluids according to local regulations and mandates.

---

#### NOTICE

**Keep all parts clean from contaminants.**

**Contaminants may cause rapid wear and shortened component life.**

---

1. Drain the coolant from the cooling system into a suitable container for storage or disposal. Refer to Operation and Maintenance Manual, "Cooling System Coolant - Change" for more information.

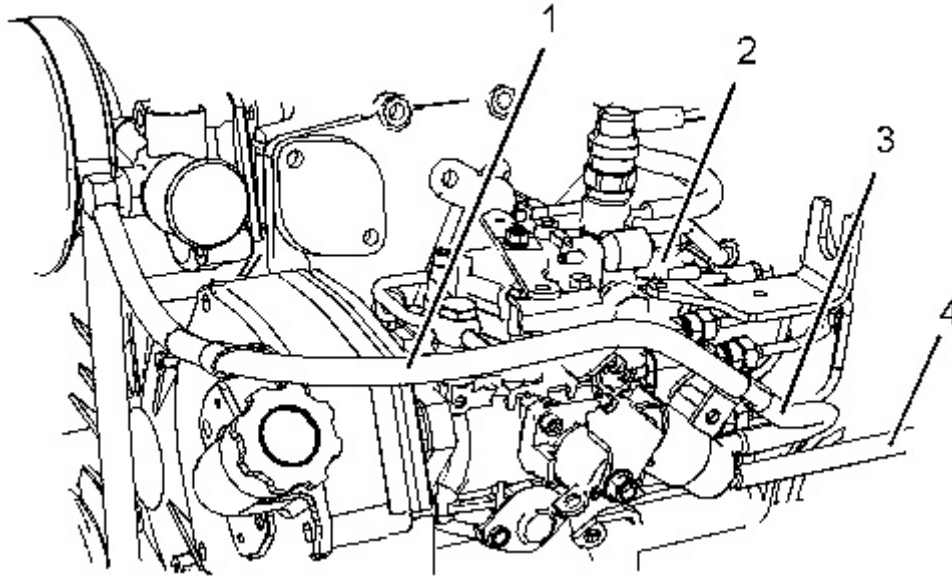
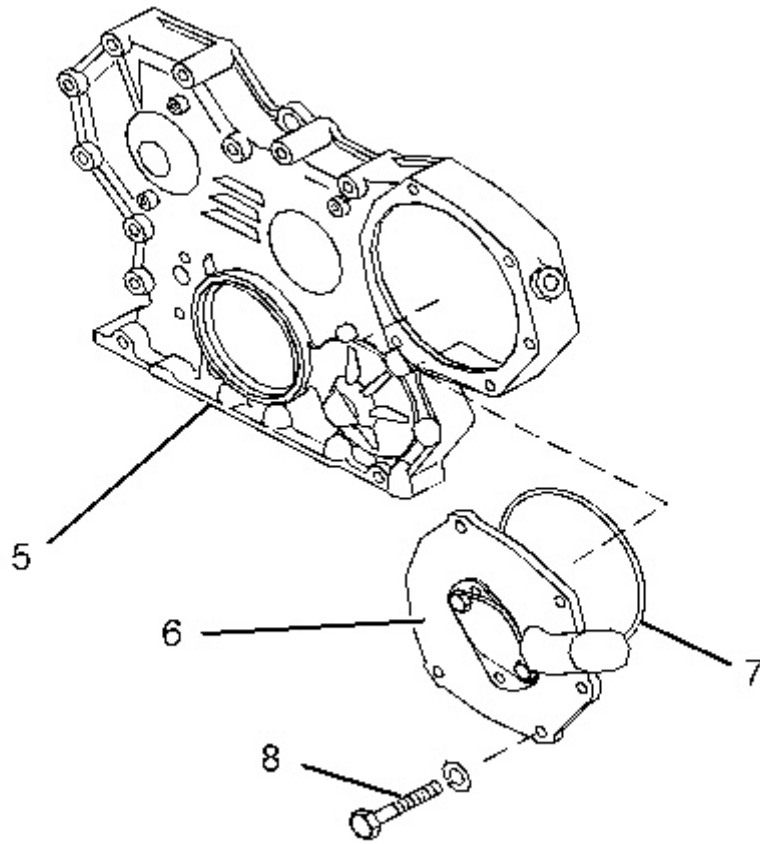


Illustration 1

g01366198

Typical example

2. Loosen the hose clamps and disconnect hoses (1) and (4) from fuel injection pump (2) .
  3. Loosen the hose clamps and remove hose (3) from fuel injection pump (2) .
  4. Ensure that number one piston is at the top center position on the compression stroke. Refer to Systems Operation, Testing and Adjusting, "Finding Top Center Position for No. 1 Piston".
-



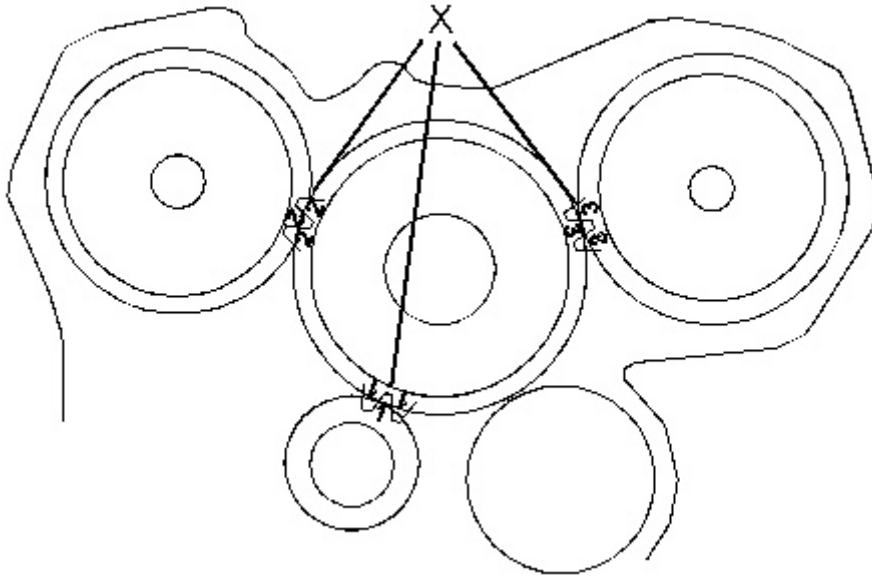
---

Illustration 2

g01366190

Typical example

5. Remove bolts (8) .
  6. Remove plate (6) from front housing (5) .
  7. Remove O-ring seal (7) from plate (6) .
-



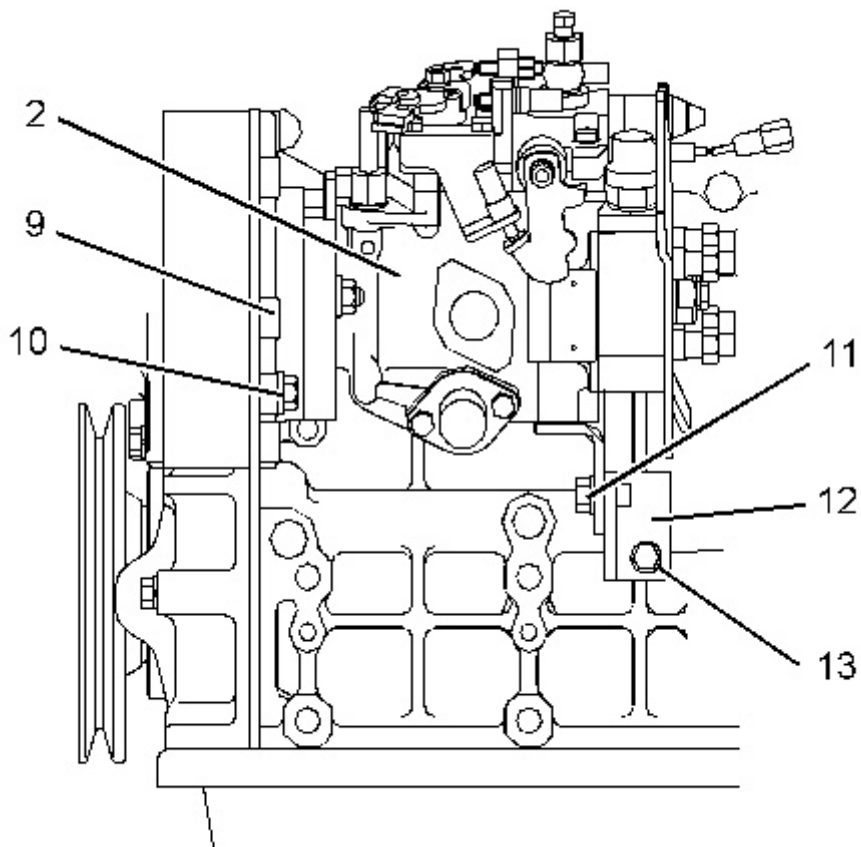
---

Illustration 3

g01375914

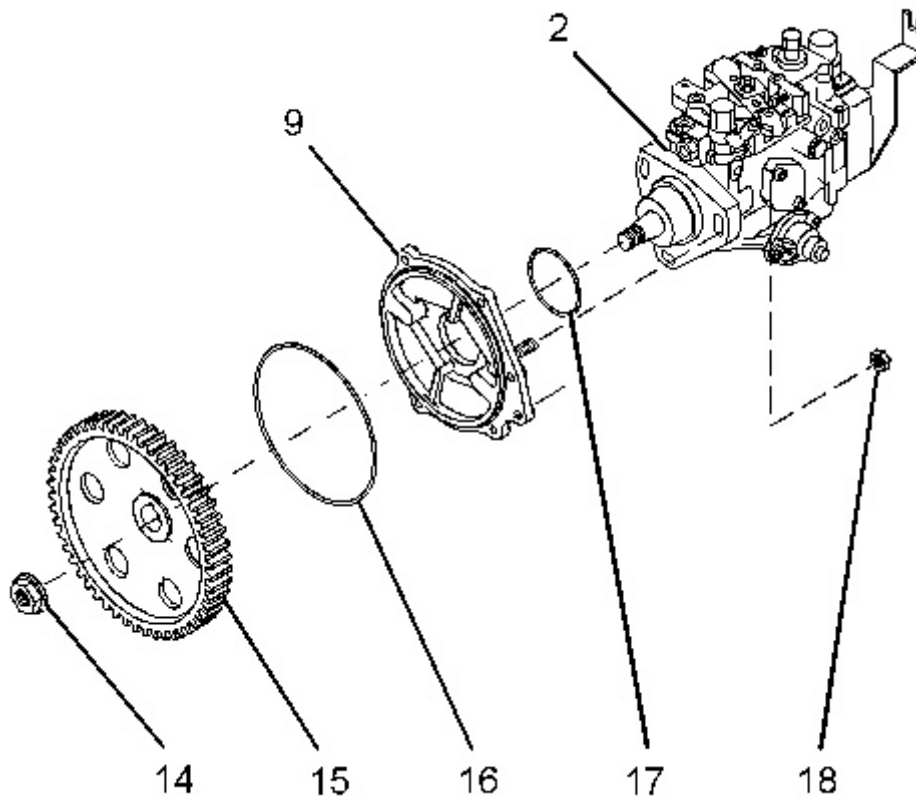
Timing marks on the gears

8. Ensure that Timing marks (X) on the teeth of the gears are aligned or make temporary marks on the gears for installation purposes.



Typical example

9. Loosen bolt (10) .
10. Remove fasteners (11), bolt (13) and bracket (12) .
11. Support fuel injection pump (2) and remove bolt (10) .
12. Remove the assembly of housing (9) and fuel injection pump (2) .



Typical example

13. Remove O-ring seal (16) from housing (9) .
14. Loosen nut (14) .  
**Note:** Do not remove the nut at this time.
15. Use Tooling (A) to loosen gear (15). Remove nut (14) and gear (15) .

16. If the original fuel injection pump will be installed, mark the flange of fuel injection pump (2) and housing (9). Remove nuts (18) .

**Note:** Refer to Systems Operation, Testing and Adjusting, "Fuel Injection Timing - Check" for the correct method of setting the fuel injection pump timing after installation.

17. Remove housing (9) from fuel injection pump (2). Remove O-ring seal (17) from housing (9) .
-

**Thank you very much  
for your reading.**

**Please click here to buy  
After you pay.**

**Then, you can  
download the complete  
manual instantly.  
No waiting.**